



GIA
GEMOLOGICAL INSTITUTE OF AMERICA®

5355 Armada Drive | Carlsbad, CA 92008-4602
T: 760-603-4500 | F: 760-603-1814

GIA Laboratories
Bangkok Carlsbad Gaborone
Johannesburg Mumbai New York

www.gia.edu

COLORED DIAMOND GRADING REPORT

GIA REPORT 2115098292

September 15, 2009
Shape and Cutting Style **Cushion Modified Brilliant**
Measurements 3.51 x 2.97 x 1.95 mm

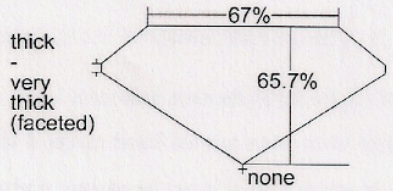
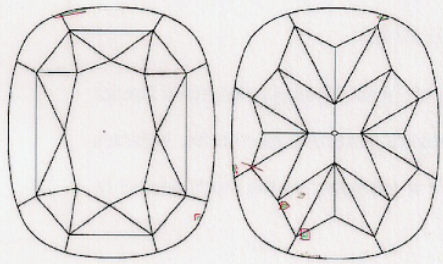
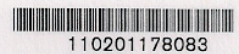
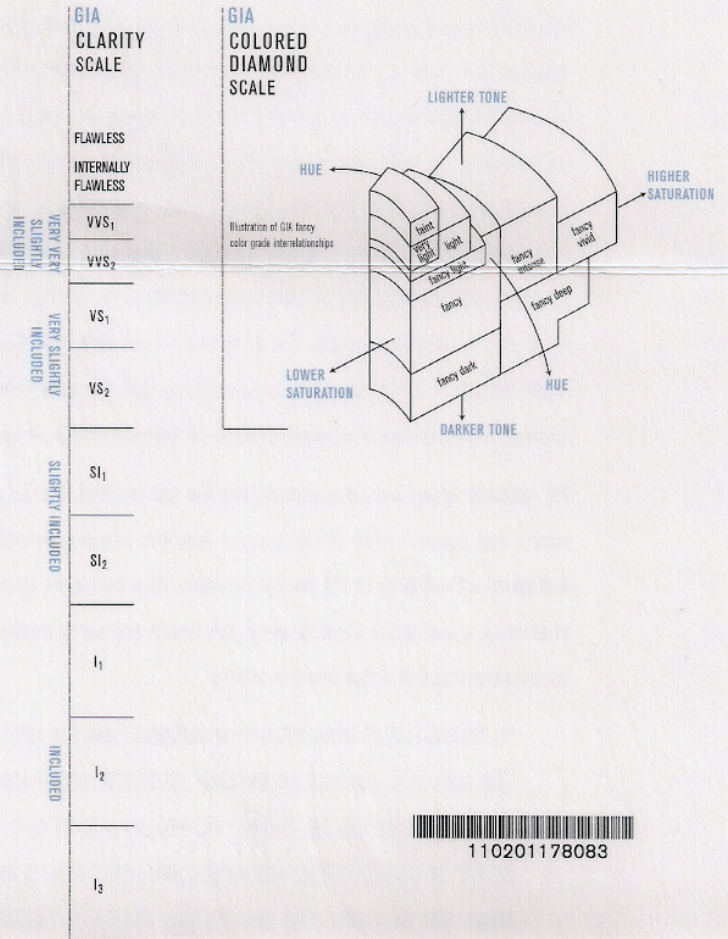
GRADING RESULTS

Carat Weight **0.19 carat**
Color **NATURAL**
Origin **FANCY VIVID GREEN-BLUE**
Distribution **Even**
Clarity Grade **VS2**

ADDITIONAL GRADING INFORMATION

Finish
Polish Very Good
Symmetry Very Good
Fluorescence Faint
Comments:
Clarity grade is based on brown patches of color that are not shown.

REFERENCE DIAGRAMS



KEY TO SYMBOLS

- ▲ Indented Natural
- ~ Feather
- Pinpoint

Red symbols denote internal characteristics (inclusions). Green or black symbols denote external characteristics (blemishes). Diagram is an approximate representation of the diamond, and symbols shown indicate type, position, and approximate size of clarity characteristics. All clarity characteristics may not be shown. Details of finish are not shown.

This Report is not a guarantee, valuation or appraisal and contains only the characteristics of the diamond described herein after it has been graded, tested, examined and analyzed by the laboratory providing this Report ("GIA") and/or has been inscribed using the techniques and equipment used by GIA at the time of the examination and/or inscription. Inscriptions reported in this document are not a guarantee, validation, or warranty of a diamond's quality, country of origin or source; or that the diamond will be identifiable by the inscription in the future (since inscriptions can be removed). GIA makes no representation concerning any trademark, word, or symbol which is inscribed by GIA or which is identified on this Report. The recipient of this Report may wish to consult a credentialed jeweler or gemologist about the information contained herein.



The security features in this document, including the hologram, security screen and microprint lines, in addition to those not listed, exceed document security industry guidelines.

IMPORTANT LIMITATIONS ON BACK
©2008 GEMOLOGICAL INSTITUTE OF AMERICA, INC.