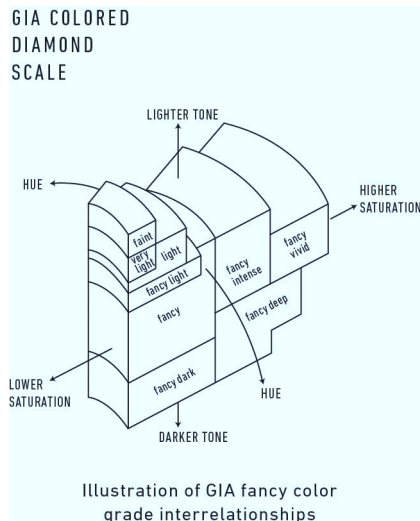


Verify this report at gia.edu

GIA COLORED DIAMOND REPORT

December 15, 2014
Report Type Identification and Origin Report
GIA Report Number 2165799003
Shape and Cutting Style . Cut-Cornered Square Modified Brilliant
Measurements 2.73 x 2.60 x 1.92 mm
Carat Weight 0.12 carat
Color Grade Fancy Vivid Purplish Pink
Color Origin Natural
Color Distribution Even

ADDITIONAL INFORMATION



The results documented in this report refer only to the diamond described, and were obtained using the techniques and equipment used by GIA at the time of examination. This report is not a guarantee or valuation. For additional information and important limitations and disclaimers, please see www.gia.edu/terms or call +1 800 421 7250 or +1 760 603 4500. ©2014 Gemological Institute of America, Inc.

reportcheck.gia.edu

